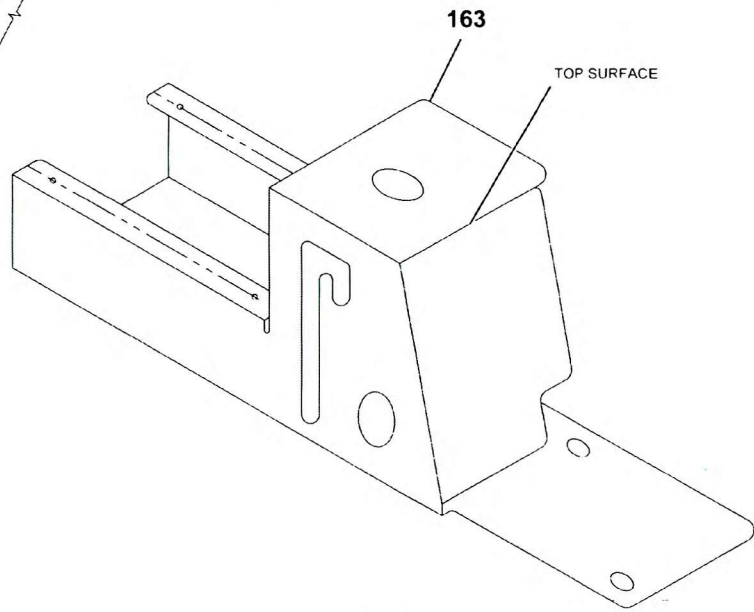
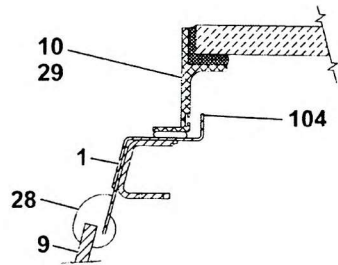


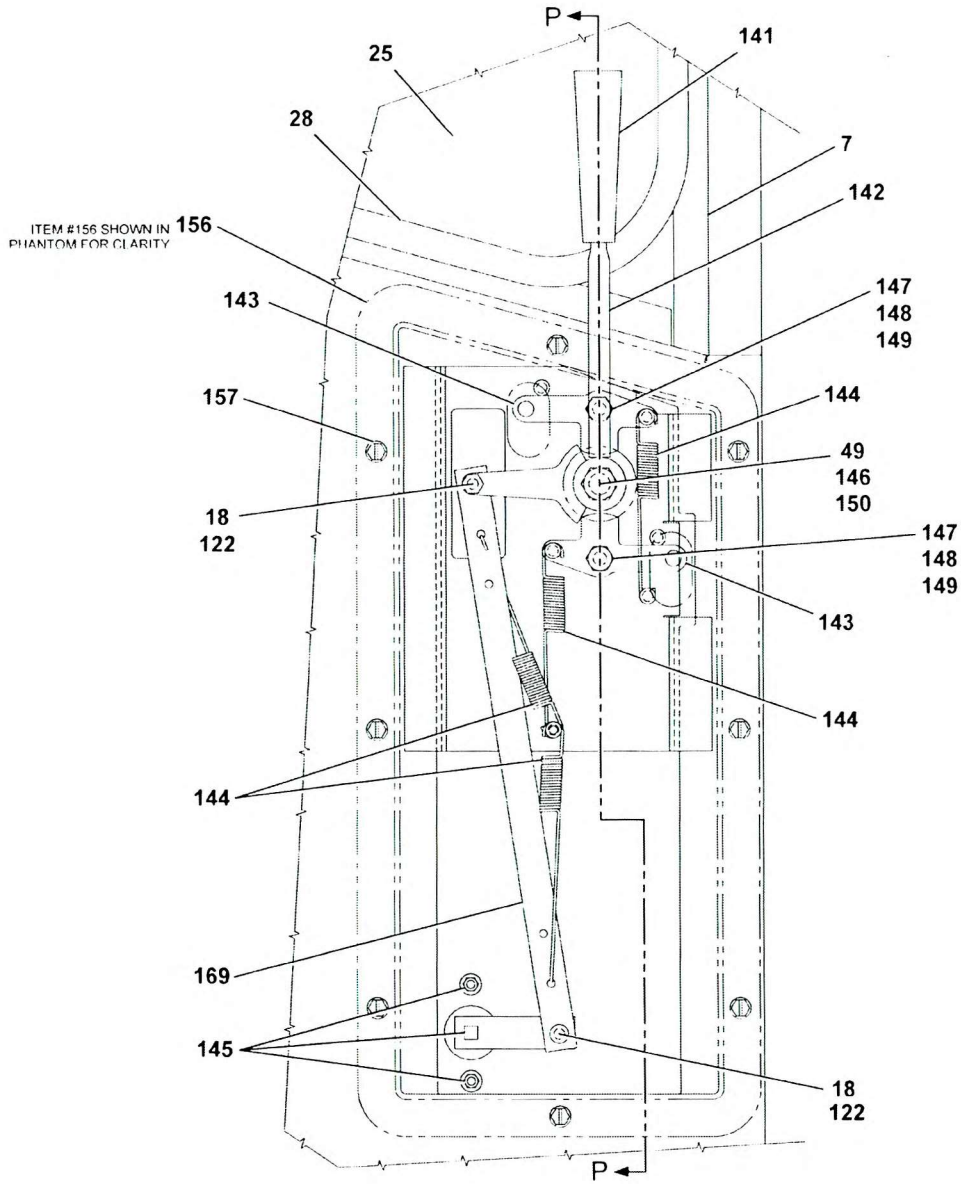
TOP VIEW OF CE CAB SKYLIGHT WIPER INSTALL



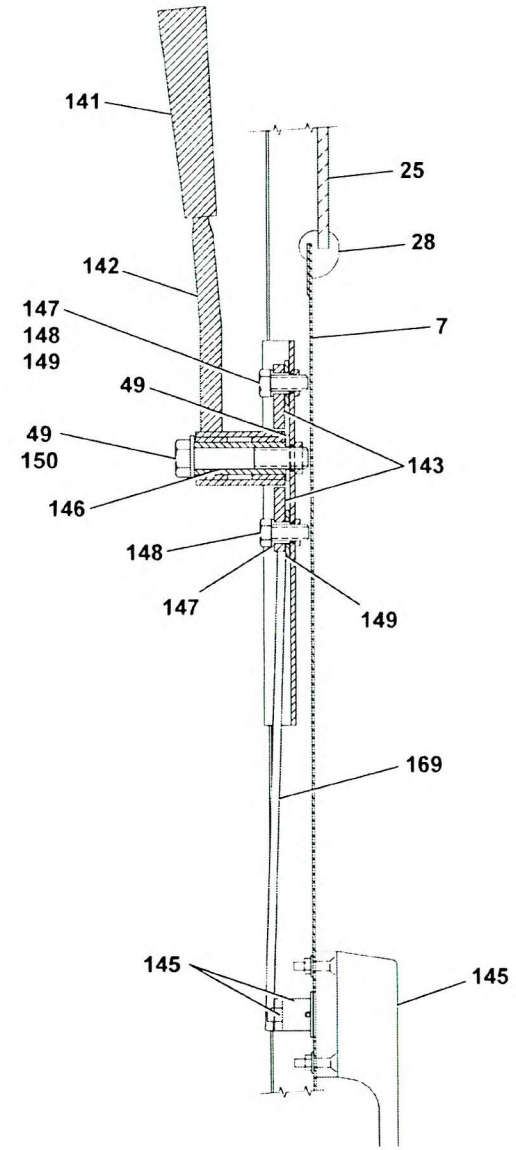
DETAIL R



SECTION Q-Q



DETAIL O



SECTION P-P

